

IRRIPROP

FM314 BOLT-ON SADDLE PROPELLER METER



FEATURES

- Accuracy +/- 2% of Flow Rate
- National Institute of Standards and Technology (NIST) Certified
- Sizes Available, 4" - 14"
(other sizes/models available upon request)
- Electronic Display, Rugged Design (no gears)
- Energy Saving Sleep Mode
- Non-Volatile E-Prom Memory
- Pulse Output Standard (telemetry ready)
- 4-20mA Option Available
- Three (3) Year Battery Life
- One (1) Year Factory Warranty
- 100 Years of Fluid Flow Experience
- 100% Made in USA



Contact your ICI branch for pricing.

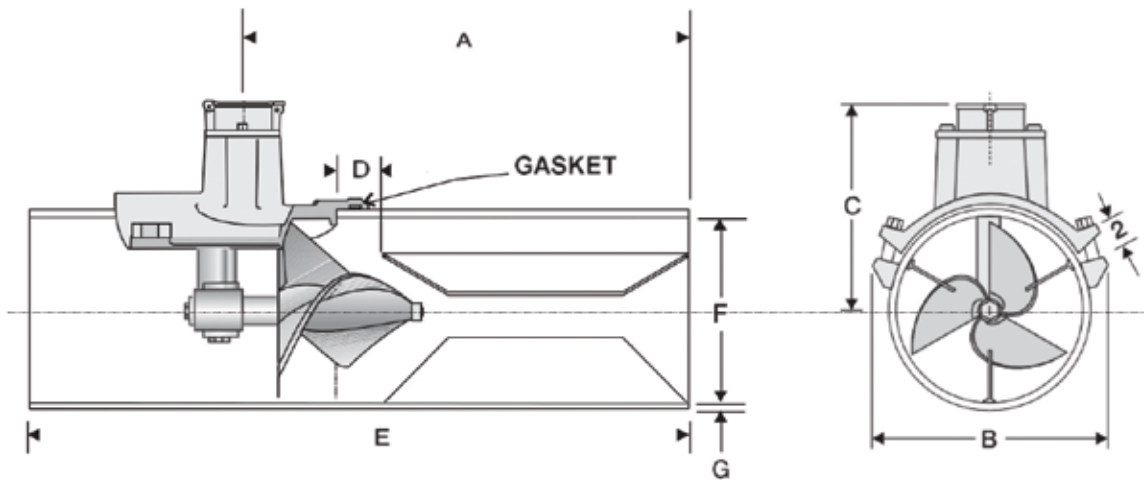
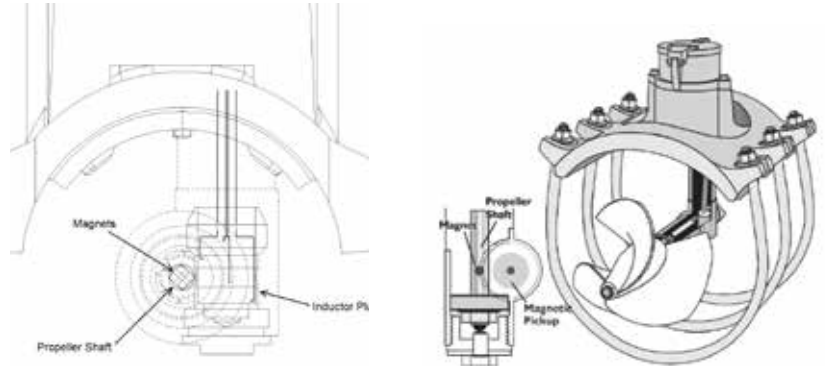
866-626-5470 | icci@irricomp.com

irricomp.com

DIGITAL PROPELLER METER



The Model FM314 Bolt-On Saddle flowmeter features the FT194 digital display which is powered by a 3.6V lithium battery. This propeller model is an ideal low-cost, easy to install, rugged solution when working with existing irrigation piping. The electronic rate/totalizer senses the rotation of the propeller by means of a magnetic pickup sensor located in the gearbox. The rate/totalizer and pickup are completely isolated from the flow stream.



IrriProp Dimensions, Weight and Flow Rate

SIZE (in)	PRESSURE (psi)	Dimensions (in)							Flow Range (GPM)		WEIGHT (lbs) w/o tube
		A	B	C	D	E	F	G	Minimum	Maximum	
4	100	9.2	8.0	7.6	N/A	16.0	4.03	0.24	50	600	20
6	100	14.4	9.0	7.9	2.8	22.0	6.36	0.13	90	1500	25
8	100	15.9	10.5	9.4	3.0	24.0	8.36	0.13	150	2300	30
10	100	19.9	11.5	9.6	3.3	30.0	10.38	0.19	250	3000	35
12	100	23.9	12.4	11.5	3.3	36.0	12.38	0.19	350	4000	40
14	100	28.0	17.6	11.1	4.9	42.0	13.63	0.19	450	5000	30

